

Sanitana

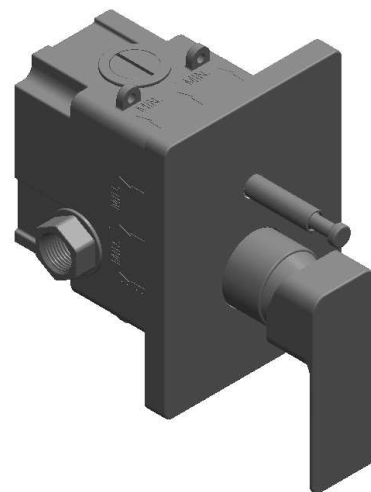
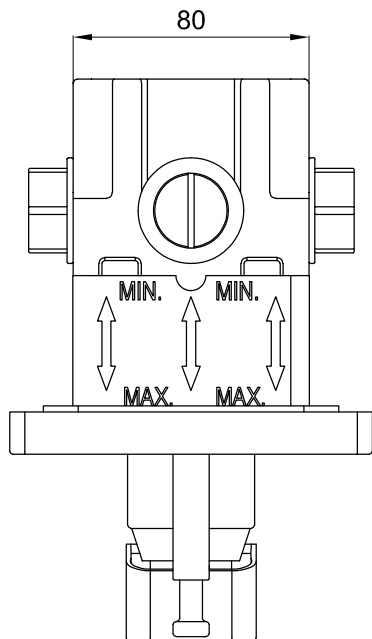
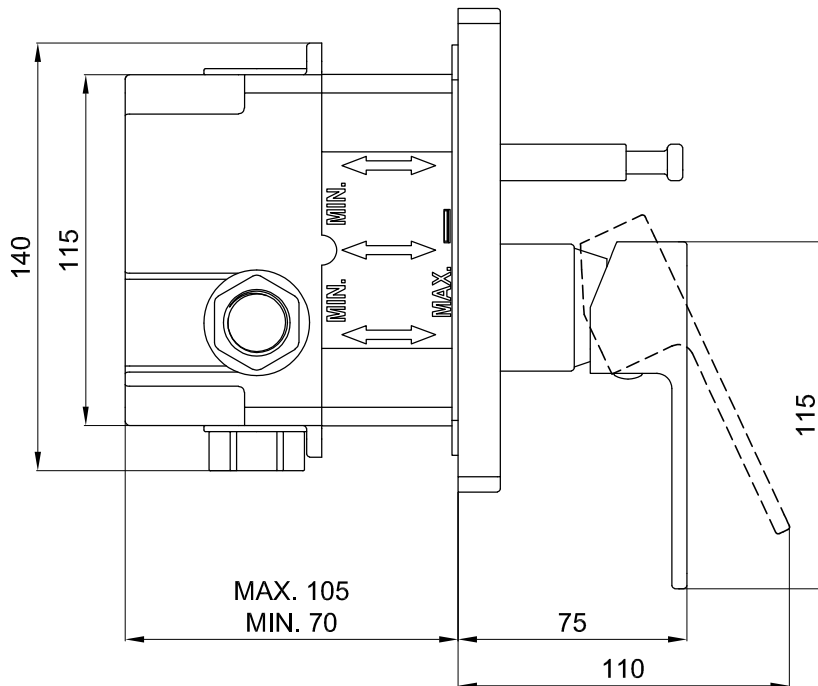
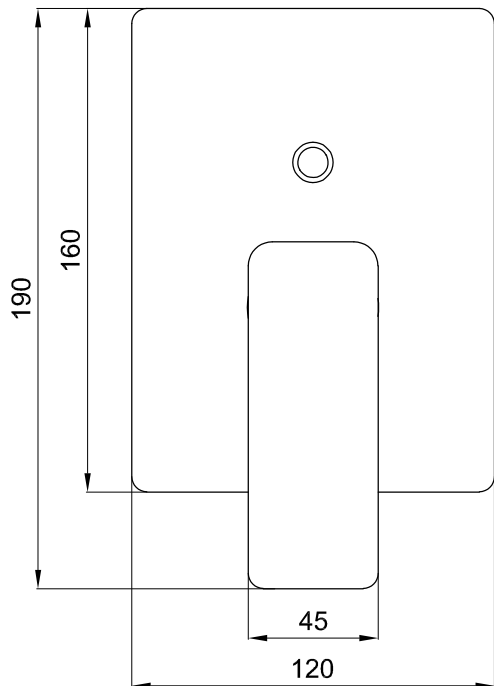
CARACTERÍSTICAS DO MODELO:

- MATERIAL: CORPO EM LATÃO E ESPELHO EM ABS COM ACABAMENTO CROMADO
- CARACTERÍSTICAS: CARTUCHO Ø 35mm COM DISCOS CERÂMICOS
- GARANTIA: 5 ANOS
- PESO: 0.7 KG

PEÇA:

- DESCRIÇÃO: TORNEIRA DE ENCASTRAR PARA DUCHE
- SERIE: NORM
- VERSÃO: MONOCOMANDO DE DUAS FUNÇÕES (4 VIAS) COM CX. ELECTRÓNICA
- REF: S50209569512601

CROQUIS COM DIMENSÕES GERAIS E DE LIGAÇÃO:



COMPONENTES INCLUÍDOS:

- CAIXA EM ABS PARA ENCASTRE COM KIT DE FIXAÇÃO

PRODUTOS ASSOCIADOS:

- CONSULTAR GAMA DE PRODUCTOS DE DUCHE À MEDIDA

Sanitana

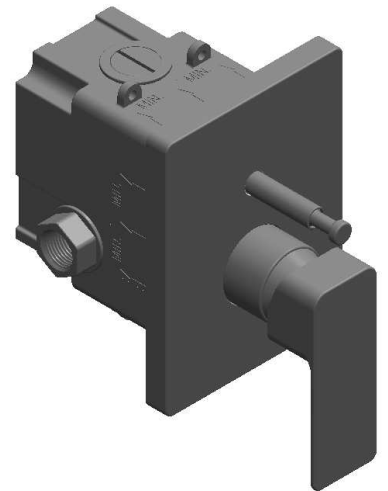
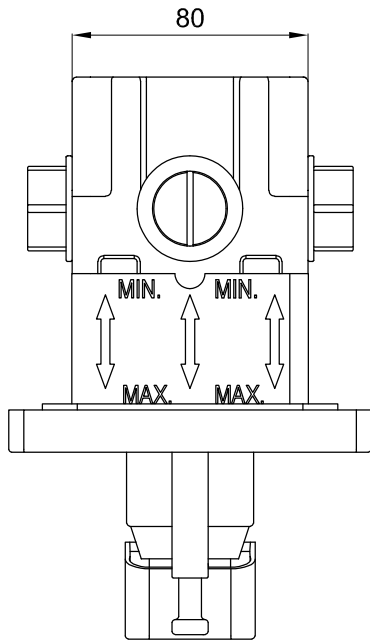
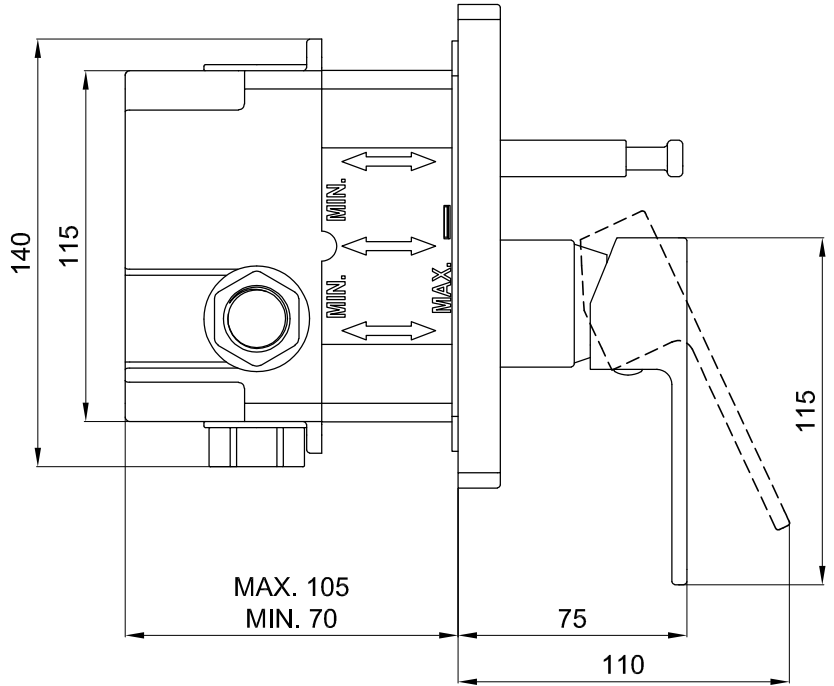
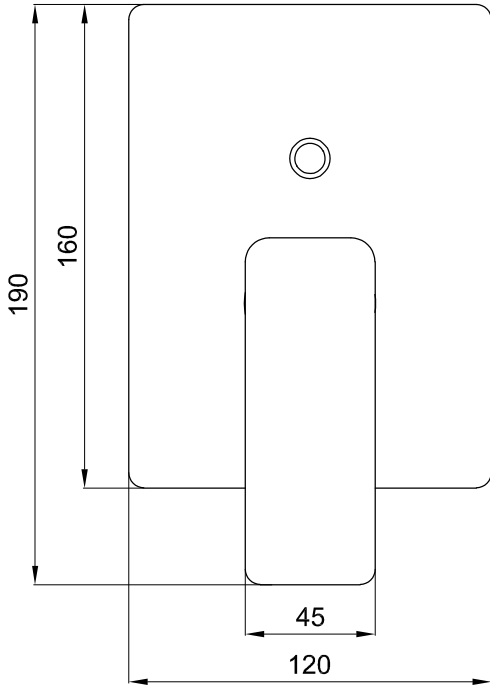
FEATURES OF THE MODEL:

- MATERIAL: BRASS BODY AND ABS MIRROR WITH CHROME FINISH
- FEATURES: CARTRIDGE INSIDE Ø 35mm WITH CERAMIC DISCS
- WARRANTY: 5 YEARS
- WEIGHT: 0.7 KG

PART:

- DESCRIPTION: BUILT-IN TAP FOR SHOWER
- SERIES: NORM
- VERSION: SINGLE LEVEL TWO-FUNCTION (4-WAY) WITH SMART BOX
- REF: S50209569512601

SKETCH WITH DIMENSIONS AND CONNECTIONS:



INCLUDED COMPONENTS:

- BOX IN ABS FOR FIXING WITH FIXING KIT

RELATED PRODUCTS:

- CONSULT RANGE OF CUSTOM SHOWER PRODUCTS

FORM N°: SDRW-000040351-b

The products presented follow technical specifications by Sanitana SA. Dimensions provided are indicative only. For custom installation, should only be considered the dimensions measured directly on the part to be installed. We reserve the right to make technical changes to improve the functionality of our products without prior notice.