

Sanitana

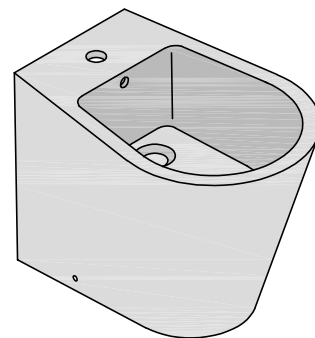
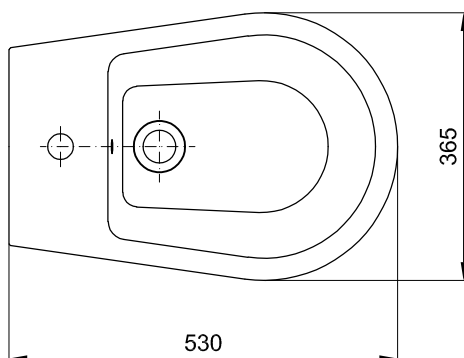
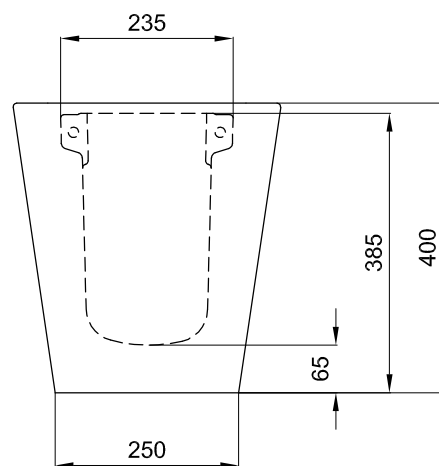
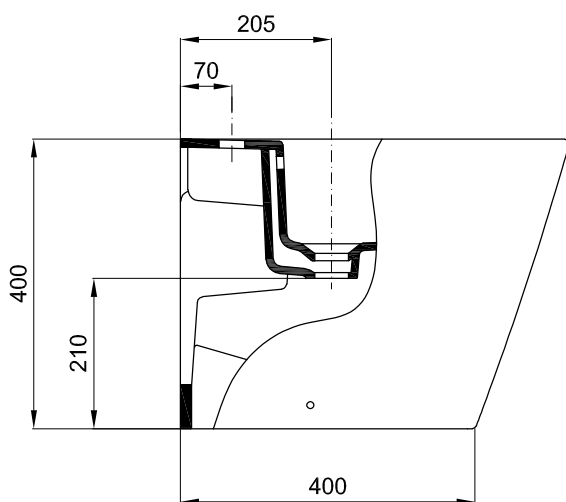
CARACTERÍSTICAS DO MODELO:

- MATERIAL: VITREOUS CHINA
- BIDÉ DE PÉ BTW COM FURO PARA TORNEIRA MONOBLOCO
- PROVIDO DE FURO LADRÃO
- S/EN 35; UNE - EN 35; NF - EN 35; NF D 11 - 107
- GARANTIA DE 2 ANOS
- PESO: 23.0KG

PEÇA:

- DESCRIÇÃO: BIDÉ DE PÉ BTW
- SERIE: GLAM
- VERSÃO: MONOBLOCO
- REF: S100668349...00

CROQUIS COM DIMENSÕES GERAIS E DE LIGAÇÃO:



COMPONENTES INCLUÍDOS:

- KIT DE FIXAÇÃO BIDÉ Ref: TNR1000000001004

PRODUTOS ASSOCIADOS:

- TAMPO Ref.: S800067621...00 / S800067616...00 - (OPCIONAL, CONSULTAR CATALOGO GERAL)

Sanitana

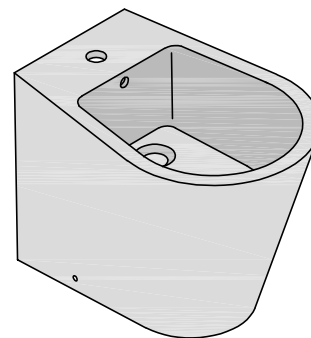
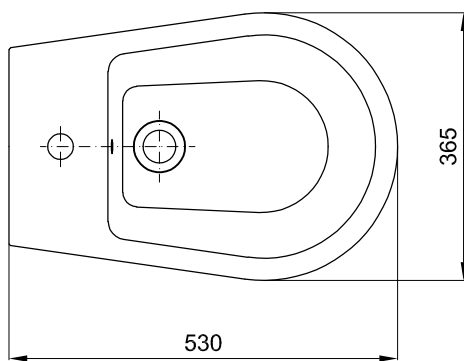
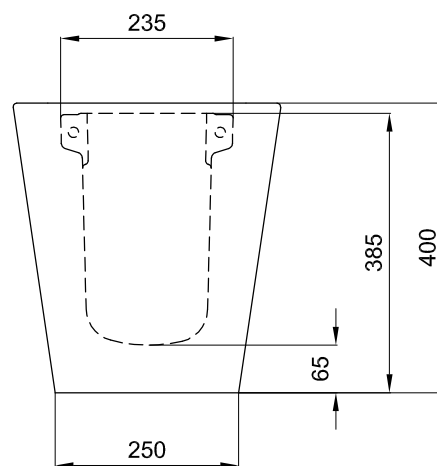
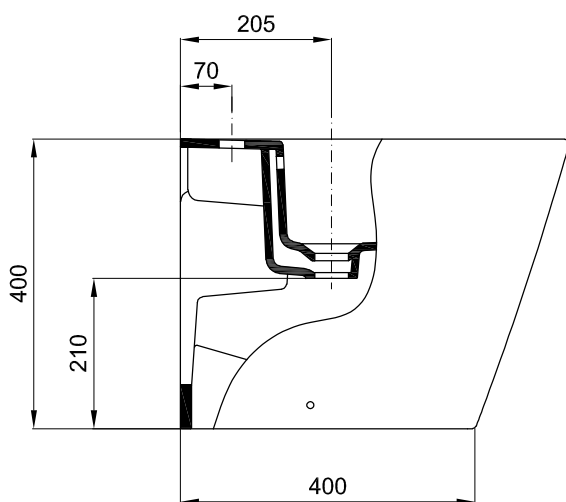
FEATURES OF THE MODEL:

- MATERIAL: VITREOUS CHINA
- SIMPLE BIDET BTW WITH HOLE FOR TAP MONOBLOC
- PROVIDED WITH HOLE THIEF
- EN 35; UNE - EN 35; NF - EN 35; NF D 11 - 107
- TWO YEARS WARRANTY
- WEIGHT: 23.0KG

PART:

- DESCRIPTION: SIMPLE BIDET BTW
- SERIES: GLAM
- VERSION: MONOBLOC
- REF: S100668349...00

SKETCH WITH DIMENSIONS AND CONNECTIONS:



INCLUDED COMPONENTS:

- FIXING KIT BIDET Ref: TNR100000001004

RELATED PRODUCTS:

- SEAT&COVER Ref.: S800067621...00 / S800067616...00 - (OPTIONAL, CONSULT GENERAL CATALOGUE)

The products presented follow technical specifications Sanitana SA. The dimensions are approximate. For installation as only to be considered the dimensions of the part to be removed applied. We reserve the right to make technical changes to improve the functionality of our products without notice.