

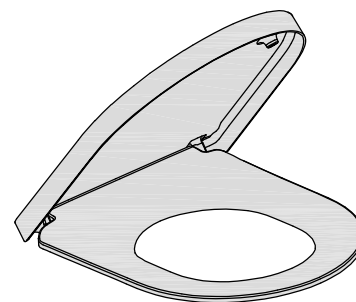
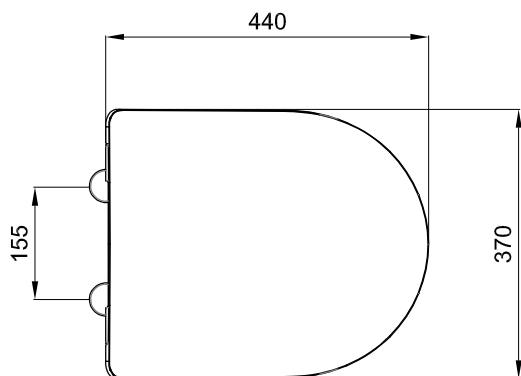
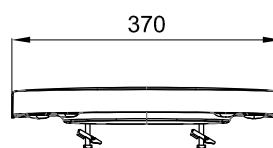
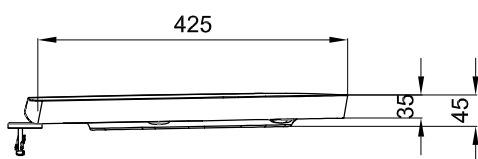
Sanitana

CARACTERÍSTICAS DO MODELO:

- MATERIAL: TERMODURO
- PROVIDO DE DOBRADIÇA DE QUEDA LIVRE E KIT DE FIXAÇÃO
- GARANTIA DE DOIS ANOS
- PESO: 2.30 KG

PEÇA:

- DESCRIÇÃO: TAMPO PARA SANITA
- SERIE: NEXO
- VERSÃO: QUEDA LIVRE
- REF: S802001818...00

CROQUIS COM DIMENSÕES GERAIS E DE LIGAÇÃO:**COMPONENTES INCLUÍDOS:****PRODUTOS ASSOCIADOS:**

Sanitana

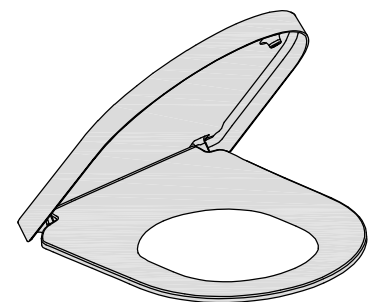
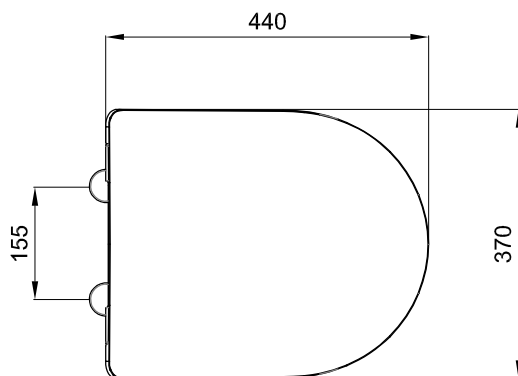
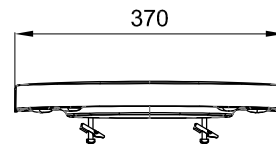
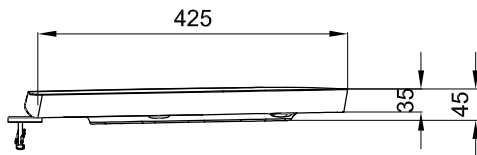
FEATURES OF THE MODEL:

- MATERIAL: TERMODURO
- PROVIDED WITH HINGE FOR STANDART CLOSE AND FIXING KIT
- TWO YEARS WARRANTY
- WEIGHT: 2.30 KG

PART:

- DESCRIPTION: SEAT&COVER TOILET
- SERIES: NEXO
- VERSION: STANDART CLOSE
- REF: S802001818...00

SKETCH WITH DIMENSIONS AND CONNECTIONS:



INCLUDED COMPONENTS:

RELATED PRODUCTS:

FORM N°: SDRW-000047048-a

The products presented follow technical specifications Sanitana SA. The dimensions are approximate. For installation as only to be considered the dimensions of the part to be removed applied. We reserve the right to make technical changes to improve the functionality of our products without notice.