



MOBIL - SUPORTE P/ LAVATÓRIO - BASCULANTE ADJUSTABLE BASIN SUPPORT

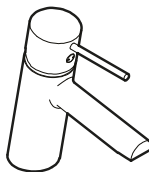


+

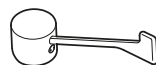


+

UNIC

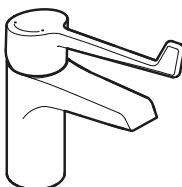


+



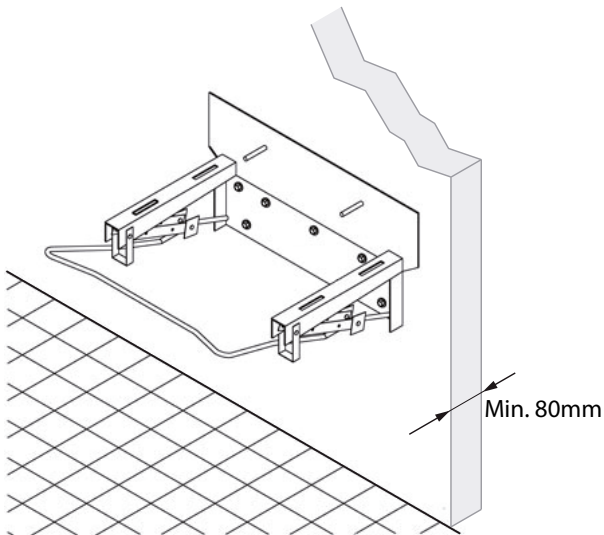
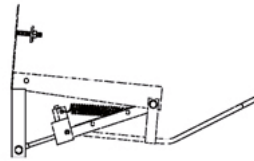
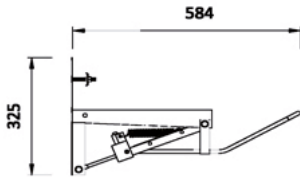
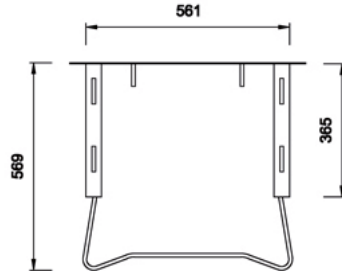
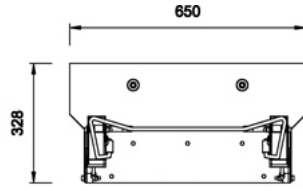
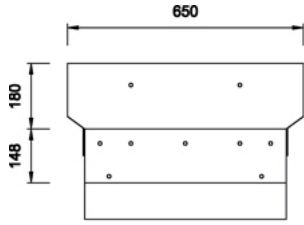
TNR9000000000145

MOBIL
H8137140000951



VIVA
S50202450212602



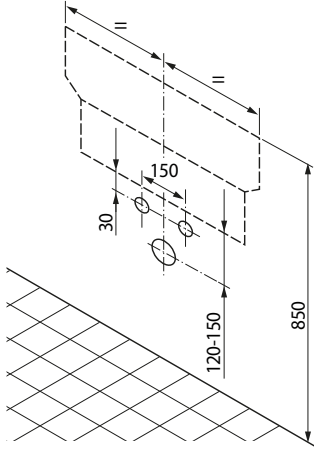


PT Instalação na parede

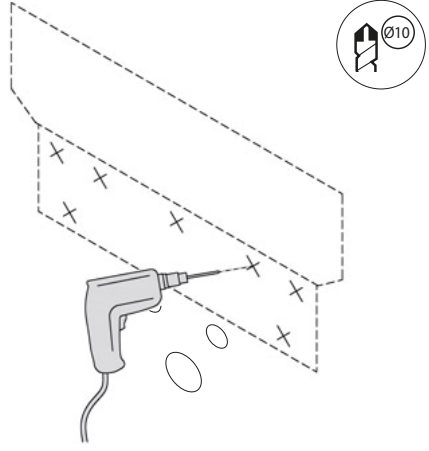
EN Installation on the wall

FR Installation dans le mur

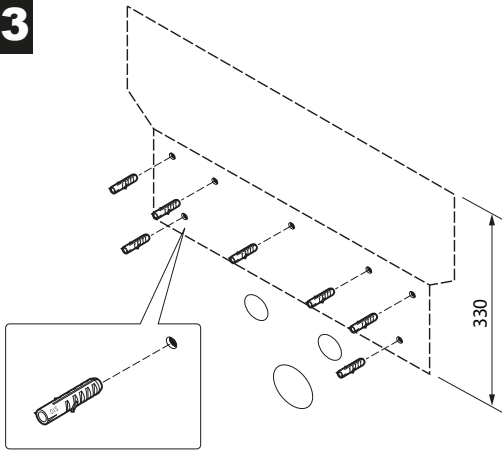
1



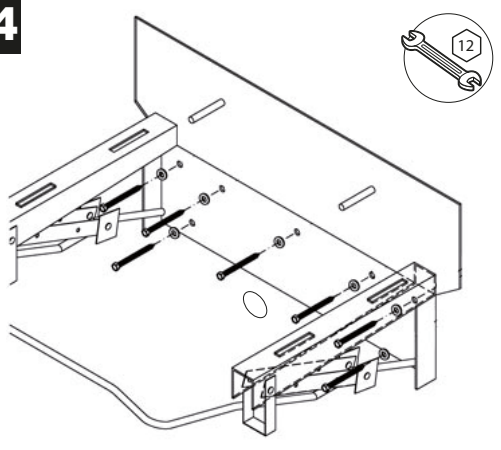
2



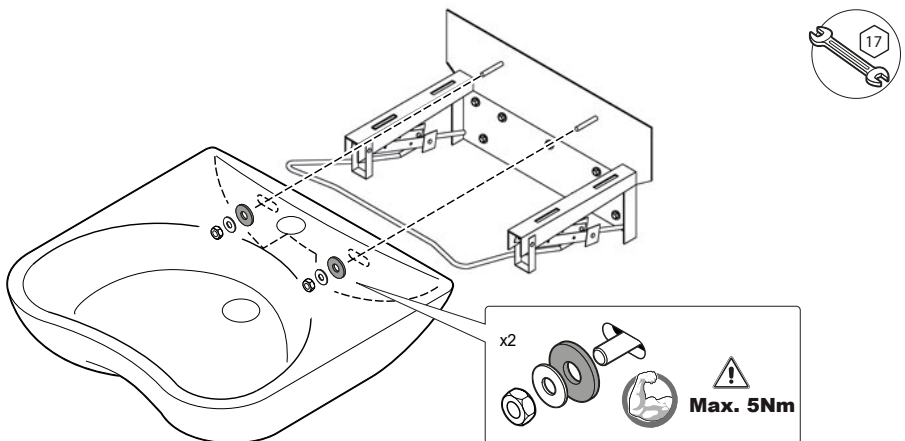
3

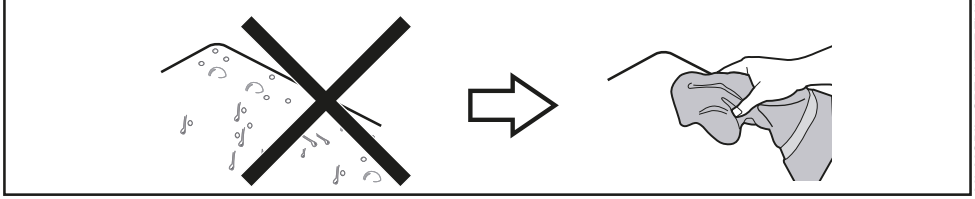
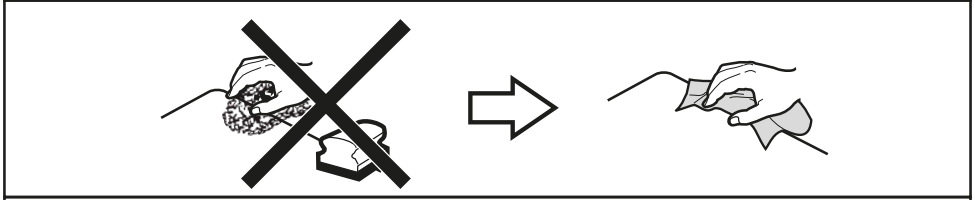
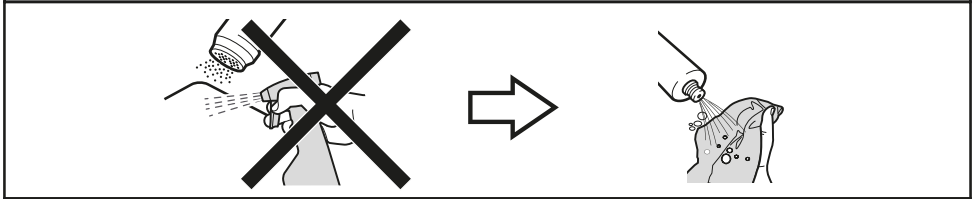
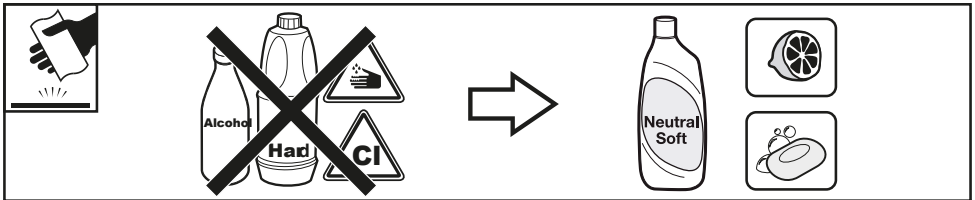
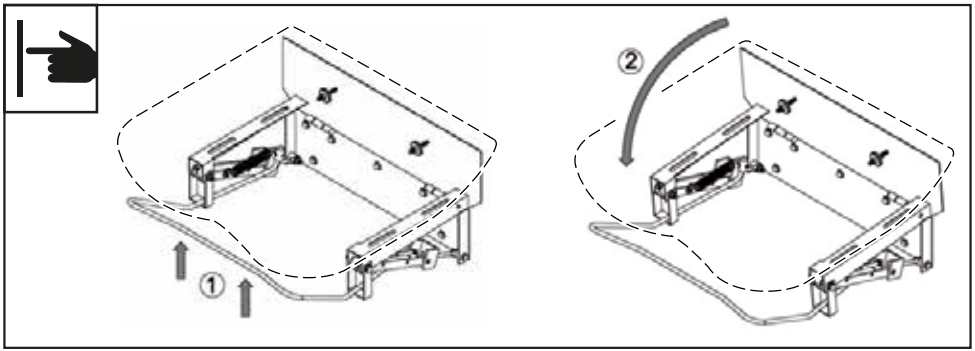


4



5





Sanitana

SANITANA, FÁBRICA DE SANITÁRIOS DE ANADIA S.A.
 Zona Industrial de Anadia, Apartado 45 | 3781-909 Anadia (Portugal)
 E-MAIL: info@sanitana.com | TEL: +351 231 519 500 | FAX: +351 231 511 504

ML_MOBIL_SPT_LVT_REV1