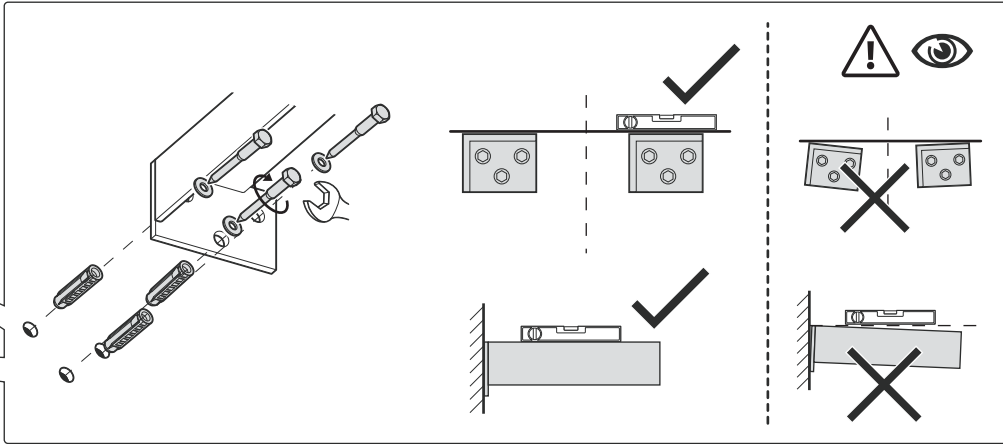
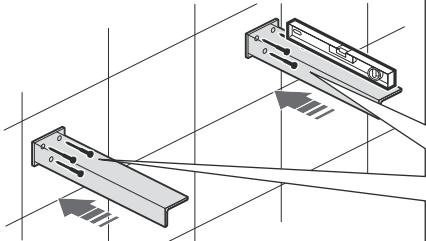
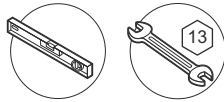


| L | |
|------------------|-----------|
| 580-800 | x2 |
| 801-1300 | x3 |
| 1301-1800 | x4 |

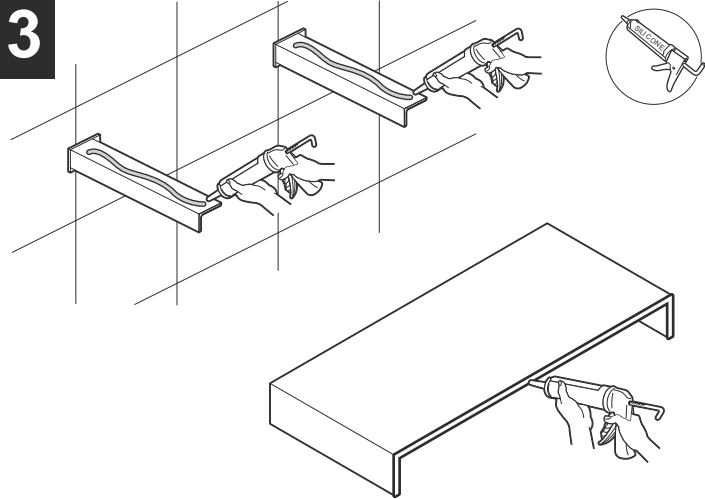
[mm]

1

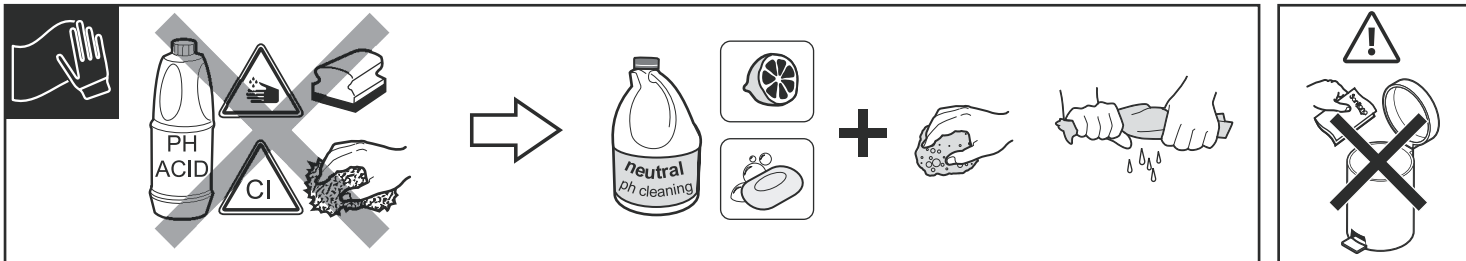
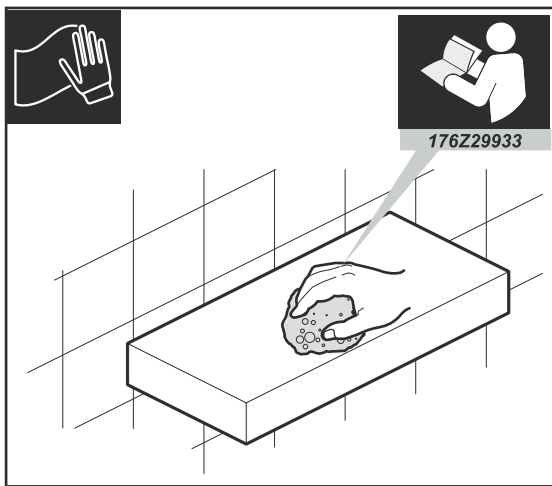
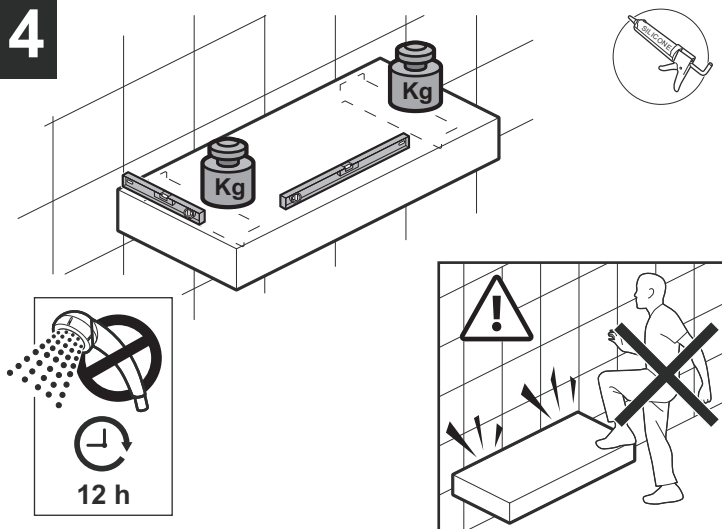
2



3



4



Sanitana

Sanitana Fábrica de Sanitários de Anadia, S.A.
ZONA INDUSTRIAL DE ANADIA
APARTADO 45
Portugal

T: 231 519 500 | F: 231 511 024

info@sanitana.com

T: 231 519 515 | F: 231 519 504

assistencia.sanitana@sanitana.pt



www.sanitana.com



www.facebook.com/sanitana



www.sanitana.profissional.com

176Z31154_GT137031