

Sanitana

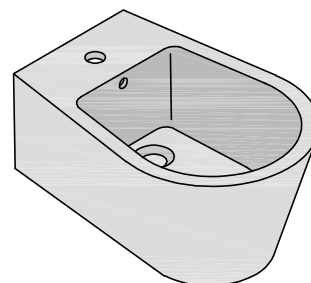
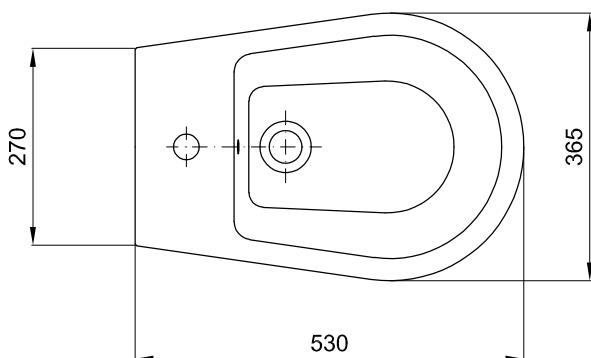
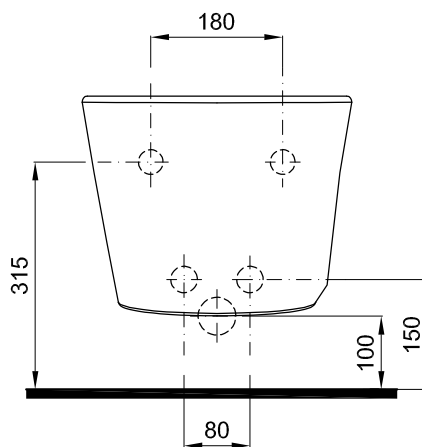
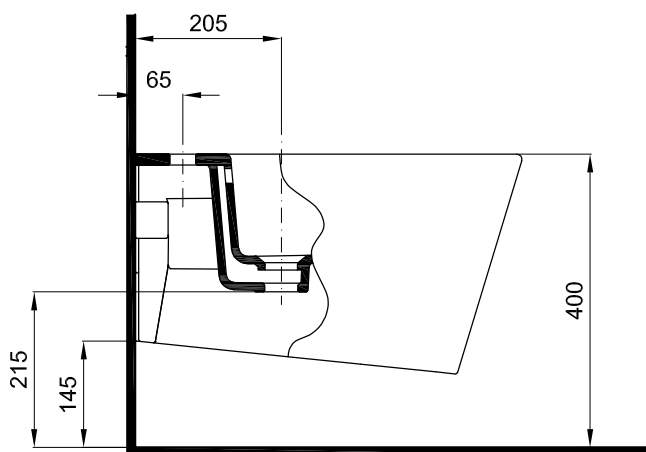
CARACTERÍSTICAS DO MODELO:

- MATERIAL: VITREOUS CHINA
- BIDÉ SUSPENSO QUE SE APOIA E FIXA NA PAREDE E COM FURO ABERTO PARA TORNEIRA MONOBLOCO
- PROVIDO DE FURO LADRÃO
- S/EN 35; UNE - EN 35; NF - EN 35; NF D 11 - 107
- GARANTIA DE 2 ANOS
- PESO: 17.0KG

PEÇA:

- DESCRIÇÃO: BIDÉ SUSPENSO
- SERIE: GLAM
- VERSÃO: MONOBLOCO
- REF: S100690349...00

CROQUIS COM DIMENSÕES GERAIS E DE LIGAÇÃO:



COMPONENTES INCLUÍDOS:

- KIT DE FIXAÇÃO BIDÉ Ref: 176Z25754

PRODUTOS ASSOCIADOS:

- CONJUNTOS E ACESSÓRIOS DE MONTAGEM AUTOPORTANTES - (OPCIONAL, CONSULTAR CATALOGO GERAL)

Sanitana

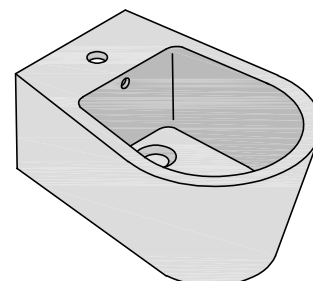
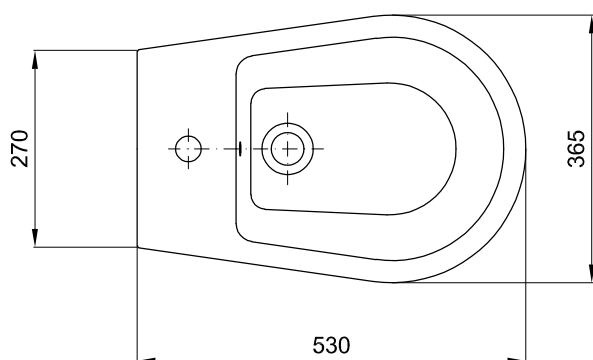
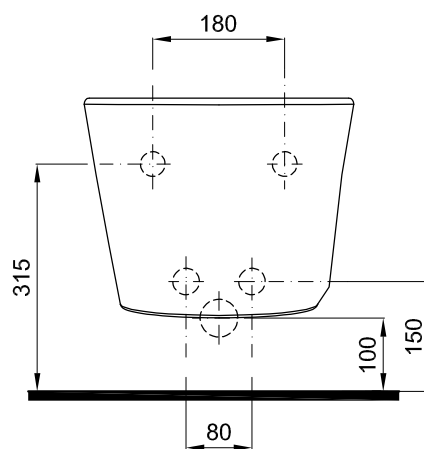
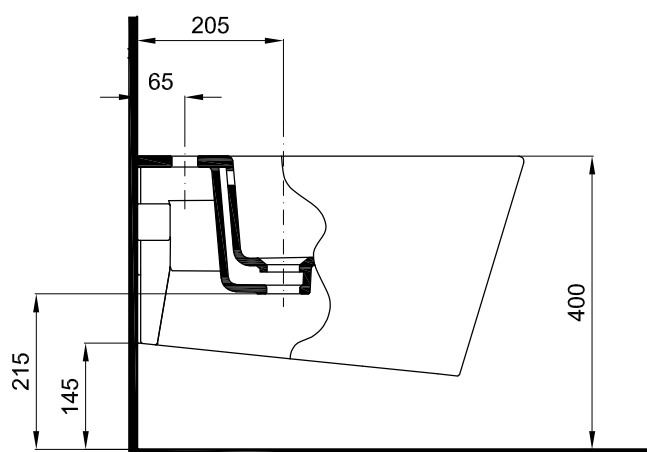
FEATURES OF THE MODEL:

- MATERIAL: VITREOUS CHINA
- WALL HUNG BIDET SUPPORTING AND FIXED TO THE WALL WITH HOLE OPEN FOR TAP MONOBLOC
- PROVIDED WITH HOLE THIEF
- EN 35; UNE - EN 35; NF - EN 35; NF D 11 - 107
- TWO YEARS WARRANTY
- WEIGHT: 17.0KG

PART:

- DESCRIPTION: WALL HUNG BIDET
- SERIES: GLAM
- VERSION: MONOBLOC
- REF: S100690349...00

SKETCH WITH DIMENSIONS AND CONNECTIONS:



INCLUDED COMPONENTS:

- BIDET FIXING KIT Ref: 176Z25754

RELATED PRODUCTS:

- SETS AND ACCESSORIES FOR FREESTANDING ASSEMBLY - (OPTIONAL, CONSULT GENERAL CATALOGUE)

FORM N°: SDRW-000043991-B

The products presented follow technical specifications Sanitana SA. The dimensions are approximate. For installation as only to be considered the dimensions of the part to be removed applied. We reserve the right to make technical changes to improve the functionality of our products without notice.