

Sanitana

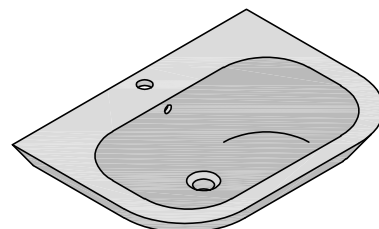
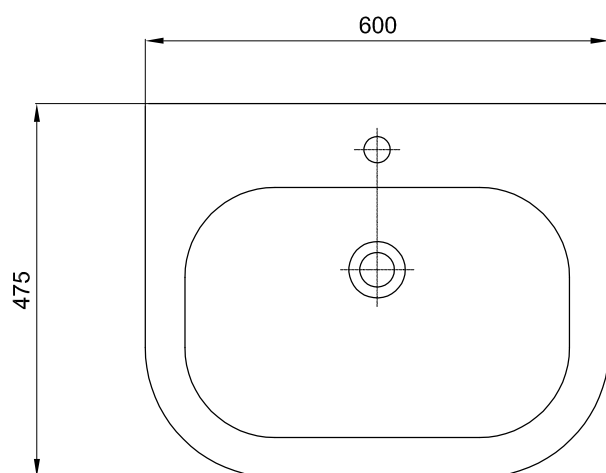
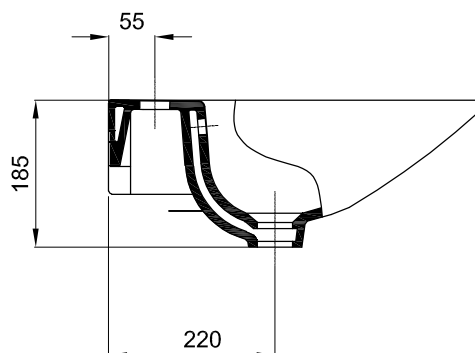
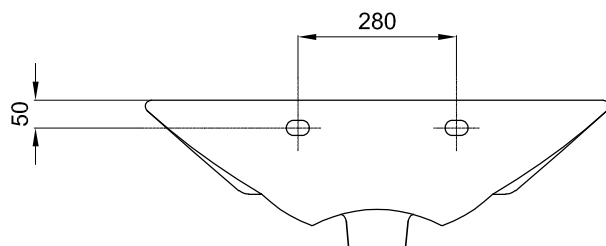
CARACTERÍSTICAS DO MODELO:

- MATERIAL: VITREOUS CHINA
- LAVATÓRIO MURAL COM UM FURO ABERTO PARA TORNEIRA MONOBLOCO
- PROVIDO DE FURO LADRÃO
- S/EN 31; UNE - EN 31; NF - EN 31; NF D 11 - 101; EN 14688
- GARANTIA DE 2 ANOS
- PESO: 16.0 KG

PEÇA:

- DESCRIÇÃO: LAVATÓRIO MURAL
- SERIE: NEXO
- VERSÃO: 60x47.5 - UM FURO PARA TORNEIRA
- REF: S100754172...00

CROQUIS COM DIMENSÕES GERAIS E DE LIGAÇÃO:



COMPONENTES INCLUÍDOS:

- KIT DE FIXAÇÃO LAVATÓRIO Ref.: TNR1000000001002

PRODUTOS ASSOCIADOS:

- SEMI-COLUNA Ref: S100745178...00 (OPCIONAL)
- COLUNA DE PÉ Ref: S100744000...00 (OPCIONAL)

Sanitana

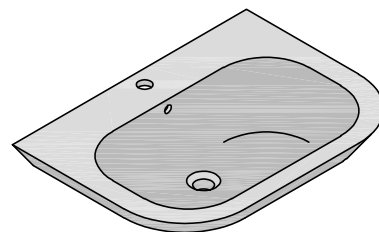
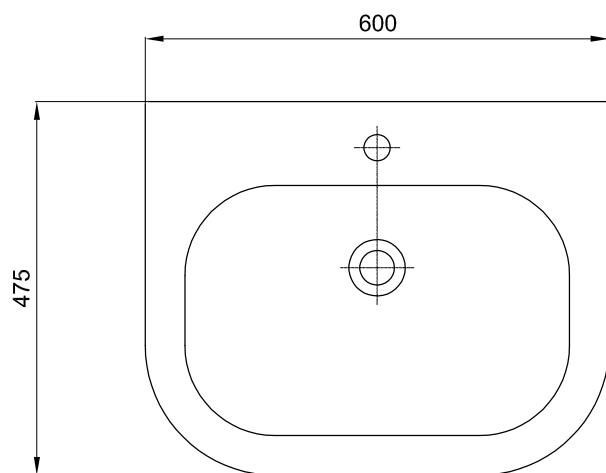
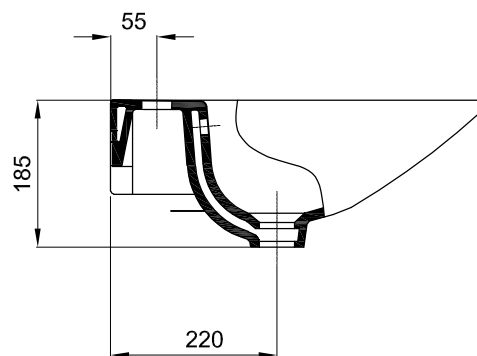
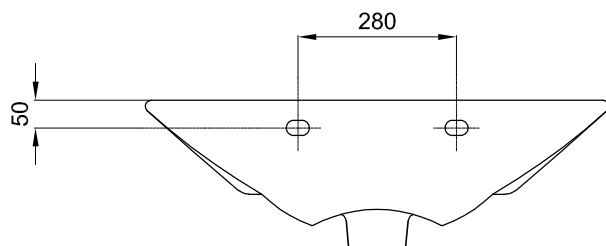
FEATURES OF THE MODEL:

- MATERIAL: VITREOUS CHINA
- WALL BASIN WITH OPEN HOLE FOR TAP MONOBLOC
- PROVIDED WITH HOLE THIEF
- EN 31; UNE-EN 31; NF-EN 31; NF D 11 - 101; EN 14688
- TWO YEARS WARRANTY
- WEIGHT: 16.0 KG

PART:

- DESCRIPTION: WASHBASIN WALL HUNG
- SERIES: NEXO
- VERSION: 60x47.5 - ONE HOLE FOR TAP
- REF: S100754172...00

SKETCH WITH DIMENSIONS AND CONNECTIONS:



INCLUDED COMPONENTS:

- FIXING KIT WASHBASIN Ref: TNR100000001002

RELATED PRODUCTS:

- SEMI-COLUMN Ref: S100745178...00 (OPCIONAL)
- STAND COLUMN Ref: S100744000...00 (OPCIONAL)

FORM N°: SDRW-00043212-b

The products presented follow technical specifications Sanitana SA. The dimensions are approximate. For installation as only to be considered the dimensions of the part to be removed applied. We reserve the right to make technical changes to improve the functionality of our products without notice.